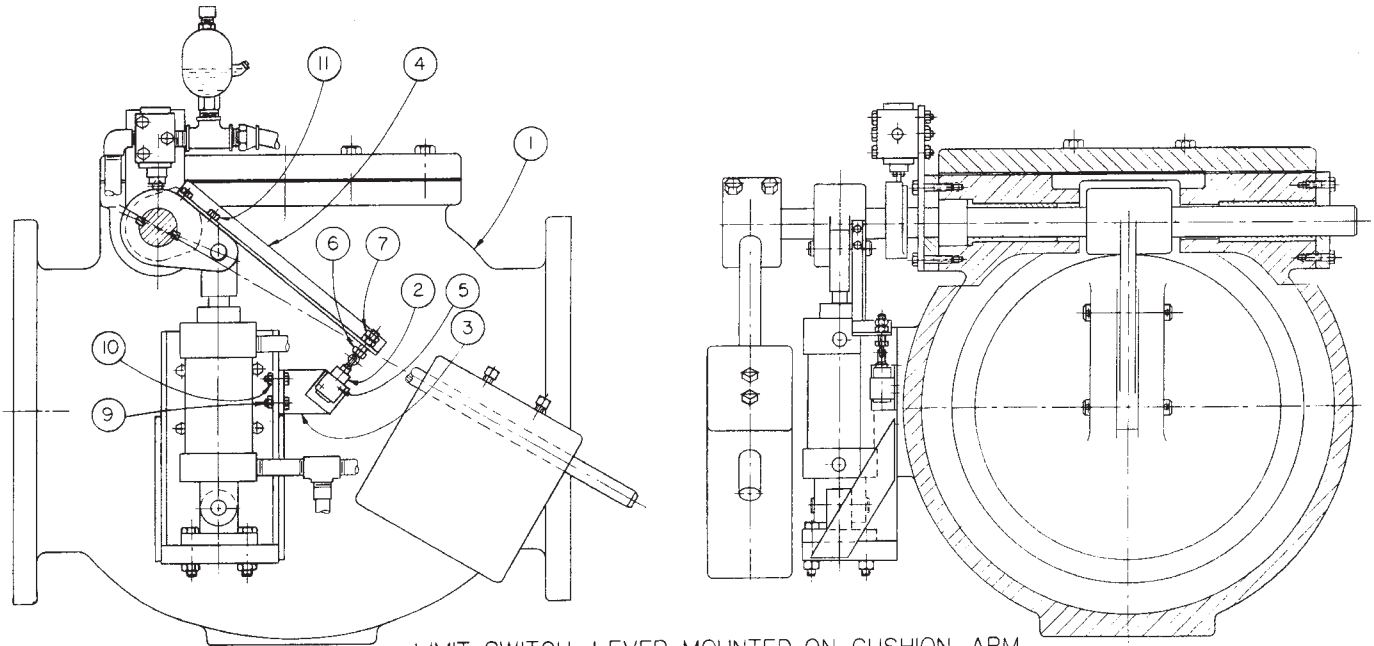
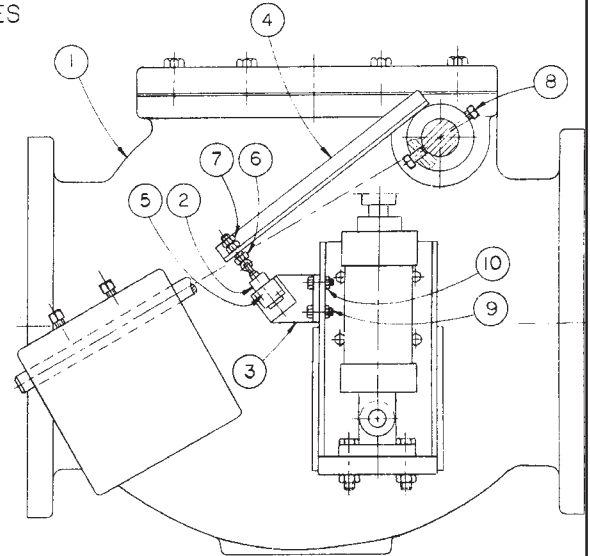
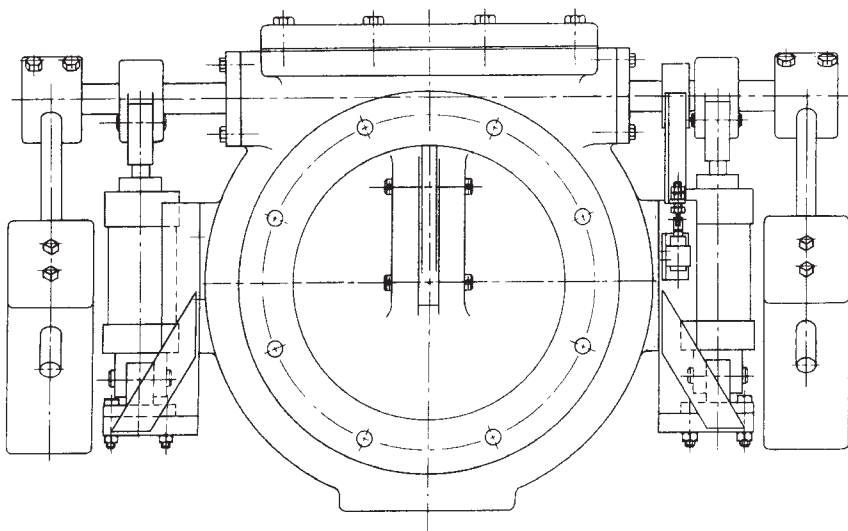


CUSHIONED SWING CHECK VALVE

AIR CUSHION OR OIL CONTROL _ SIDE MOUNTED WITH LIMIT SWITCH

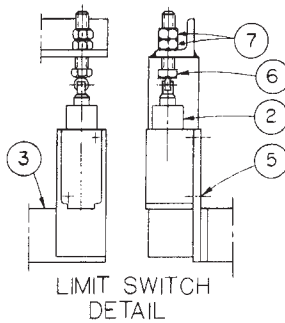


LIMIT SWITCH LEVER MOUNTED ON CUSHION ARM
SIZES 6" & 8" VALVES



LIMIT SWITCH LEVER WITH COLLAR MOUNTED ON PIVOT SHAFT
SIZES 10" TO 66" VALVES

DET.	DESCRIPTION	MATERIAL
1	CUSHIONED SWING CHECK VALVE (S-6000 OR S-6100)	
2	LIMIT SWITCH	COMMERCIAL
3	LIMIT SWITCH BRACKET	STEEL
4	LIMIT SWITCH LEVER	STEEL
5	LIMIT SWITCH MOUNTING SCREW	STEEL
6	ADJUSTING SCREW	STEEL
7	LOCK NUT	STEEL
8	LEVER SET SCREW	STEEL
9	BRACKET MOUNTING SCREW	STEEL
10	BRACKET MOUNTING SCREW NUT	STEEL
11	LEVER MOUNTING SCREW	STEEL



LIMIT SWITCH
DETAIL

CERTIFIED BY: _____

DATE: _____

DATE
09-01-03



DRWG. NO.
S-6000-12

SPECIFICATIONS OTHER SIDE